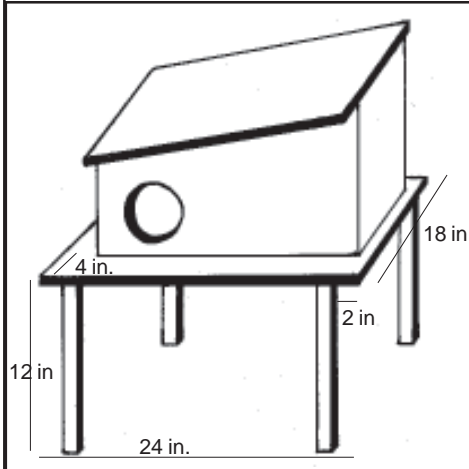


Elevated Bait Station for Ground Squirrel control in Kangaroo Rat and Kit Fox habitats



Kangaroo rats are extremely susceptible to rodenticides placed in traditional bait stations. Elevating existing bait stations onto 12-inch high platforms with recessed legs (see photo) prevents them from accessing the bait station. Any material may be used for building the platform, but due to Kangaroo rat behavior it is important to adhere to the specifications shown in the back of this card.

Elevated Bait Station Design and Specifications



- 1) The Platform should be 12 inches high.
- 2) The platform must not have a solid base. Kangaroo rats are able to jump or climb to heights of up to 24 inches if they are presented with a solid base. Even a platform top with a 3-inch overhang over a solid base is easily negotiated by kangaroo rats.
- 3) The legs of the platform should be inset at least 2-inches to stop Kangaroo rats from climbing into the station. Ramps or wire mesh should

not be added to improve accessibility by ground squirrels as Kangaroo rats will learn to use these to climb into the bait station.

4) Vegetation should be cleared from around the base of the platforms. Kangaroo rats will be able to climb into the stations if vegetation is present or if the stations are placed against a 1/2 inch (or finer) wire mesh fence. Keep entrances away from fence posts and large rocks that might be used by Kangaroo rats to gain access.

5) The bait station should be secured to the platform to prevent it from being tipped over by other animals. It may be necessary to add a lip to the top of the platform to stop grain spillage. Any grain spilled from bait stations should be picked-up daily.

6) In rangeland areas, bait stations should be firmly secured to the ground to avoid them being tipped over by livestock.

7) In San Joaquin Kit fox range, the entrance to the station should be no greater than 3 inches in diameter.

For more information contact: **Leopoldo Moreno, Endangered Species Project**
(916)324-3888 e-mail: pmoreno@cdpr.ca.gov



California Department of Pesticide Regulation
Endangered Species Program
www.cdpr.ca.gov/docs/endspec/index.htm

