

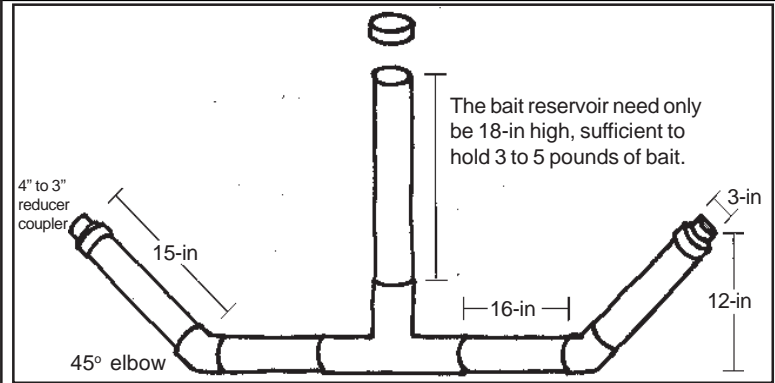
Modifying a “T” Bait Station for Ground Squirrel control in Kangaroo Rat, Riparian Brush Rabbit, Riparian Wood Rat, and Kit Fox habitats



Inverted “T” design: 45° PVC elbows and traditional pipe can be placed on each entrance of the traditional station such that the entrance to the station is 12 inches above ground level (see above picture). Ground squirrels generally begin visiting these bait stations at the same time as they would visit the traditional station (1-6 days). In the event that ground squirrels do not visit the modified station, the extension should be removed, and the station pre-baited with clean (i.e., no poison) grain. Once the squirrels begin feeding from the station, the extensions can be replaced, poison grain added and the squirrels will continue to visit the station.

Photos: Desley Whisson/UCD Extension

Modified “T” Bait Station Design



Specifications

1. The entrances must be at least 12 inches above the ground.
2. Vegetation should be cleared from around the entrances. Kangaroo rats will be able to climb into the stations if dense vegetation is present or if the stations are placed against a 1/2 inch (or finer) wire mesh fence. Keep entrances away from fence posts and large rocks that might be used by kangaroo rats to gain access.
3. Rain or sprinkler irrigation will result in water collecting in the bait stations. In locations or at times when this is likely, it may be necessary to further modify the bait station (e.g., by adding an additional horizontal extension; drilling a hole in the bottom of the station to drain water, etc.). It is important to remember that ground squirrels will not take moldy bait.
4. In San Joaquin kit fox range, the entrance to the station should be no greater than 3-inches in diameter. This can be achieved by fitting a 4-inch to 3-inch PVC reducer coupler.
5. In Riparian brush rabbit or Riparian wood rat habitats, these modified bait stations can be used close to riparian vegetation if they are capped overnight (2 hrs. before sunset 2 hrs. after sunrise), using a 3-inch end cap.

For more information contact: Leopoldo Moreno, Endangered Species Project
(916)324-3888 e-mail: pmoreno@cdpr.ca.gov



California Department of Pesticide Regulation
Endangered Species Program
www.cdpr.ca.gov/docs/endspec/index.htm

